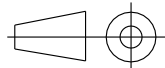
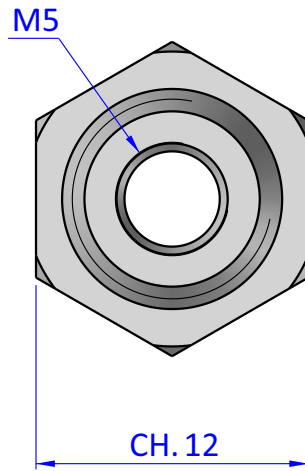
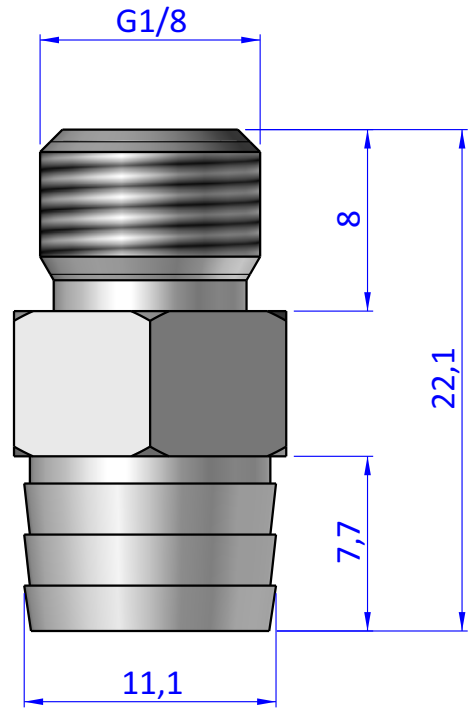
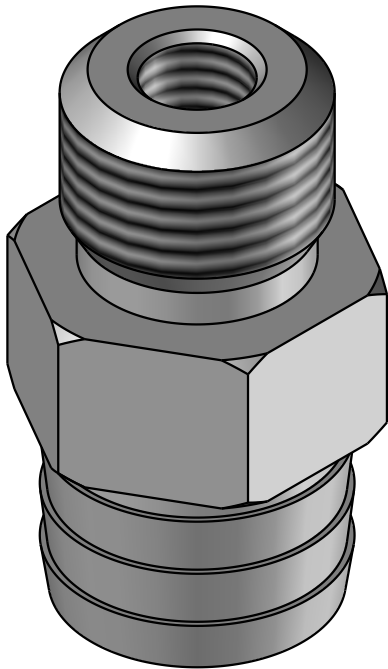


THE PROPERTY OF THE DRAWING IS ESTABLISHED BY LAW. IT IS FORBIDDEN TO PRODUCE OR SHOW IT TO THIRD PART. WITHOUT A WRITTEN AGREEMENT.

Item	Name	Q.ty
1	08.09.011	1



DESIGNED FROM <b>FPS Automation</b>		REVIEW <b>A</b>
DATE <b>29/03/2022</b>	WEIGHT <b>0,005kg</b>	
CODE <b>CA.08.09.011</b>		

Format <b>A4</b>	GENERAL TOLERANCE UNI - ISO 2768 CLASSE <b>f</b>	DESCRIPTION <b>CA.08.09.011</b>
------------------	--	------------------------------------

UNI 936-76